

The manufacturing of biomass for remediation of soil polluted with oil

Dr.sc.eng. Juris Vanags

Introduction

This project regards the manufacturing of biomass for remediation the soil polluted with oil.

The corresponding fermentations are based on microorganism strains, which are isolated from oil polluted soil.

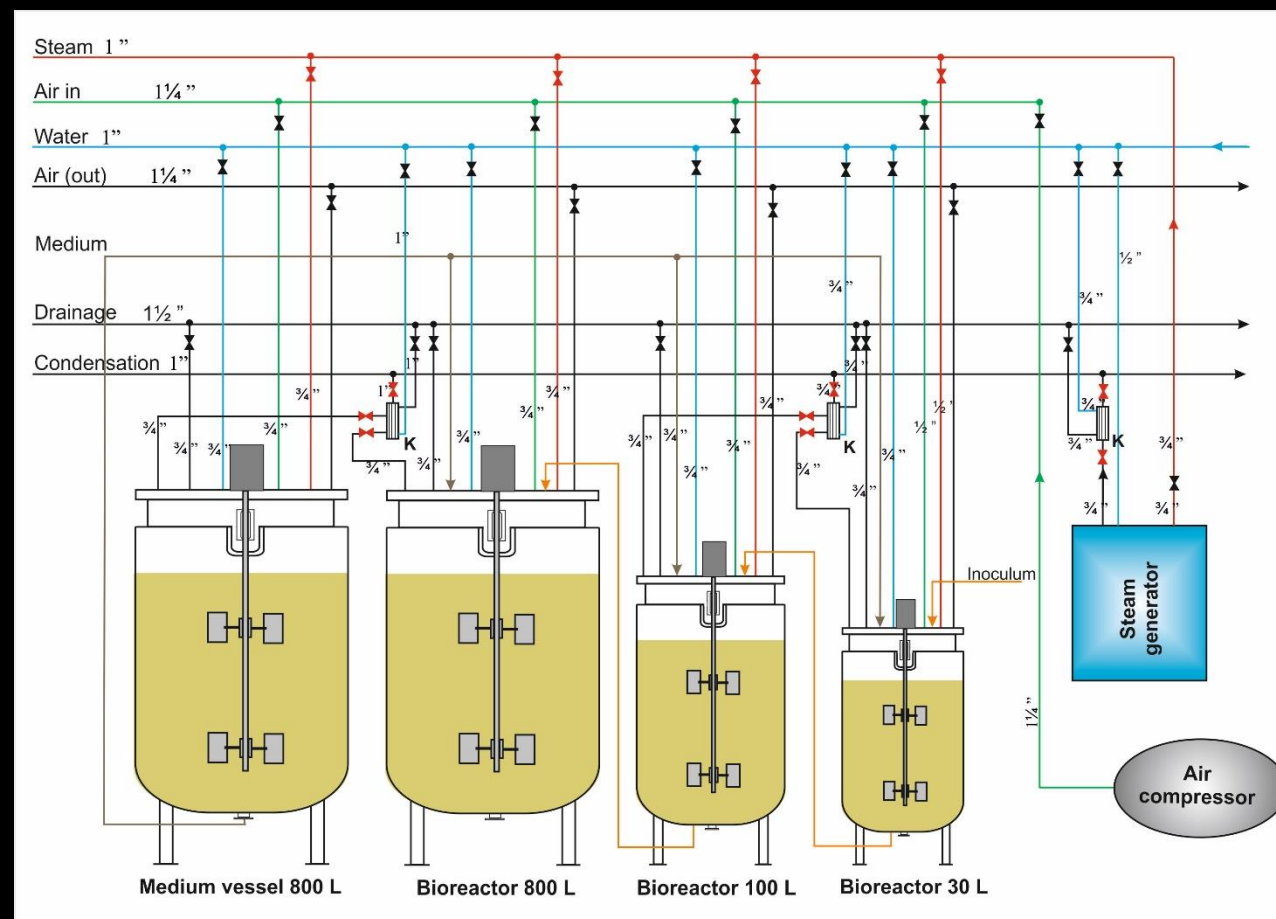
These strains and its cultivation technology in bioreactors are patented of Institute of Microbiology and Biotechnology of Latvian University and EKOOSTA.

The project is realized in enterprise EKO OSTA, which activities are the application of ecological technologies.

Fermentation part of manufacturing



The technological schema of process



The application of produced biomass

